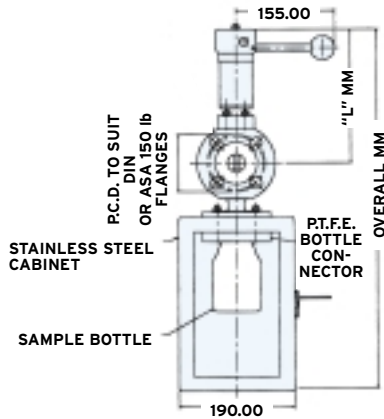


# Aegis® SD-IL Series In-Line Sampling Systems

The Aegis SD-IL Series closed loop in-line sample valve allows for the collection of representative samples of corrosive and toxic process media. Environmentally safe, dead space free samples can safely be taken directly from horizontal or vertical piping. The media constantly flows through the valve and around the conical spindle thus eliminating contamination. The safety spring return hand-lever automatically closes the valve when the sampling process is complete. Available in stainless steel, exotic alloys, PFA lined and in solid plastic bodies.

## SAMPLING SYSTEM TYPE SD-IL-500-S-SC

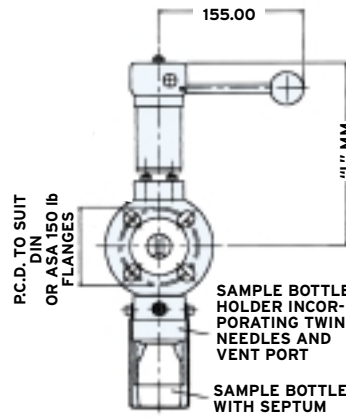
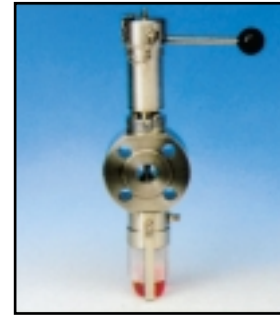
In-line wafer valve, actuated by a pull down/spring return fail safe lever incorporating adjustment facilities for flow control with the sample being taken into a shatterproof bottle contained within a stainless steel safety cabinet.



OPERATING DATA		VALVE TYPE	
		SD-IL-500 ST/STEEL	SD-IL-400 P.F.A. LINED
PRESSURE	16 bar Max	16 bar Max	10 bar Max
TEMPERATURE	-20° to +200°C +180°C	-20° to +180°C	-20° to +180°C
SIZE	6"	271.00	699.00
	4"	242.00	642.00
	3"	227.00	611.00
	2.5"	219.50	597.00
	2"	209.00	576.00
	1.5"	201.00	560.00
	1"	182.00	523.00
	SIZE	'L' mm	OVERALL

## SAMPLING SYSTEM TYPE SD-IL-500-S-NA

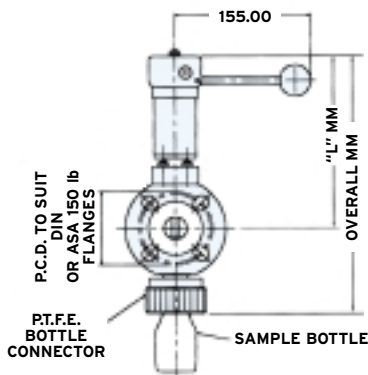
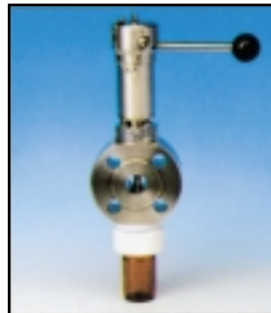
In-line wafer valve, actuated by a pull down/spring return fail safe lever incorporating adjustment facilities for flow control with the sample being taken through a septum sealed bottle.



OPERATING DATA		VALVE TYPE	
		SD-IL-500 ST/STEEL	SD-IL-400 P.F.A. LINED
PRESSURE	16 bar Max	16 bar Max	10 bar Max
TEMPERATURE	-20° to +200°C +180°C	-20° to +180°C	-20° to +180°C
SIZE	6"	271.00	
	4"	242.00	
	3"	227.00	
	2.5"	219.50	
	2"	209.00	
	1.5"	201.00	
	1"	182.00	
	SIZE	'L' mm	

## SAMPLING SYSTEM TYPE SD-IL-500-S-BA

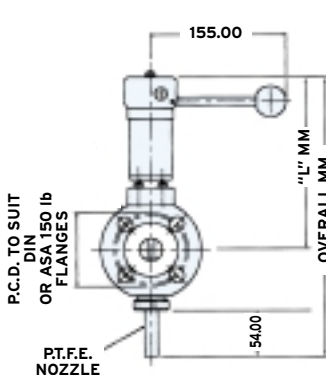
In-line wafer valve, actuated by a pull down/spring return fail safe lever incorporating adjustment facilities for flow control with the sample being taken into a shatterproof bottle held in a vented and threaded bottle adapter.



OPERATING DATA		VALVE TYPE	
		SD-IL-500 ST/STEEL	SD-IL-400 ST/STEEL
PRESSURE	16 bar Max	16 bar Max	10 bar Max
TEMPERATURE	-20° to +200°C +180°C	-20° to +180°C	-20° to +180°C
SIZE	6"	271.00	456.00
	4"	242.00	399.00
	3"	227.00	369.00
	2.5"	219.50	354.00
	2"	209.00	333.00
	1.5"	201.00	317.00
	1"	182.00	280.00
	SIZE	'L' mm	OVERALL

## SAMPLING SYSTEM TYPE SD-IL-500-S-FT

In-line wafer valve, actuated by a pull down/spring return fail safe lever incorporating adjustment facilities for flow control with the sample being taken into an open top bottle or container.



OPERATING DATA		VALVE TYPE	
		SD-IL-500 ST/STEEL	SD-IL-400 ST/STEEL
PRESSURE	16 bar Max	16 bar Max	10 bar Max
TEMPERATURE	-20° to +200°C +180°C	-20° to +180°C	-20° to +180°C
SIZE	6"	271.00	482.00
	4"	242.00	425.00
	3"	227.00	395.00
	2.5"	219.50	380.00
	2"	209.00	359.00
	1.5"	201.00	343.00
	1"	182.00	306.00
	SIZE	'L' mm	OVERALL

Wafer Valves face to face dimensions 2.36 inches

Flanged Valve dimensions in accordance with ASME B16.10

