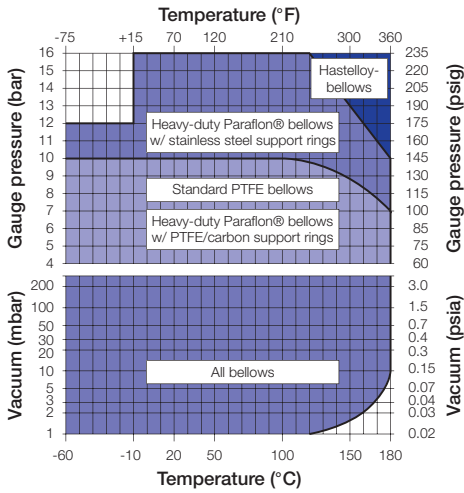


Pressure/Temperature Range



Bellows Travel Range

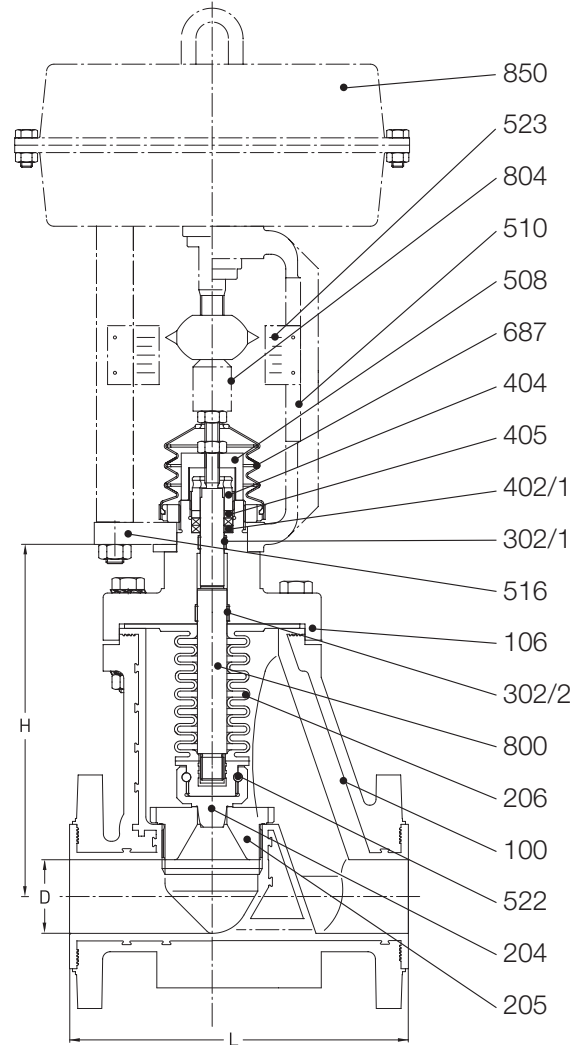
Size (Inch)	Standard (Inch)	Heavy Duty (Inch)
1/2"	.590"/.787"	-
3/4"	.590"/.787"	-
1"	-	.590"
1 1/2"	-	.590"/.787"
2"	-	.590"/.787"
3"	-	1.181"
4"	-	1.181"
6"	-	1.968"

Bill of Materials

Item	Designation	Material
100	Body	Shell: ductile iron EN-JS 1049/ ASTM A395, optionally cast steel GS-C 25 (1.0619)
		Lining: PFA, optionally PFA-L antistatic
106	Cover	D.c.i. EN-JS 1049/ASTM A395
204	Plug	Paraflon®
205	Seat	Paraflon®
206	Bellows	Paraflon®, PTFE, PTFE/carbon antistatic, Hastelloy, Heavy-duty version: with stainless steel or PTFE/carbon support rings
302/x	Guide ring	PTFE/carbon
402/1	Packing ring	PTFE/carbon
404	Packing nut	Stainless steel
405	Thrust ring	Stainless steel
508	Travel stop*	Stainless steel
510	Bracket	Steel, epoxy-coated
516	Yoke	Ductile cast iron, epoxy-coated
522	Round cord	PTFE
523	Travel indicator	Stainless steel
687	Protect. bellows	Rubber, w/travel stop
800	Valve stem	316SS
801	Guide**	316SS (3", 4", 6" only)
804	Coupling	Stainless steel
850	Actuator	according to specification
917/1	Screw-in pipe connector***	Stainless steel, optionally hex. head screw plug

* depending on shut-off force

** Component not shown *** option. with safety stuffing box



Dimensions and weights

Face-to-face lengths ISO 5752 series 1 (DIN EN 588-1 series 1)*, flanges ISO 7005-2/PN16 (DIN EN 1092-2)*

Size (Inch)	H (Inch)	L (Inch)	Weight** (Lb)
1/2"	5.11	5.11	13
3/4"	5.11	5.11	13
1"	7.28	6.30	24
1-1/2"	8.85	7.87	35
2"	9.05	9.05	42
2-1/2"	9.05	11.41	44
3"	13.38	12.20	86
4"	13.78	13.78	97
6"	20.15	18.89	341

* formerly DIN 3202/F1, 2532/33

** without actuator

Face-to-face lengths ANSI/ISA 75.08.01 Class 150# and 300# flanges ASME B16.5 Class 150# and 300# Raised face

Size (Inch)	H (Inch)	L 150# (Inch)	L 300# (Inch)	Weight** (Lb)
1/2"	5.11	5.11**	-	13
3/4"	5.11	5.11***	-	13
1"	7.28	7.24	7.75	26
1 1/2"	8.85	8.74	9.25	35
2"	9.05	10.00	10.51	42
3"	13.38	11.73	-	86
4"	13.77	13.89	-	97
6"	20.15	18.89***	-	341

* DN 1/2": flanges with tapped bore

** without actuator *** not to ANSI/ISA