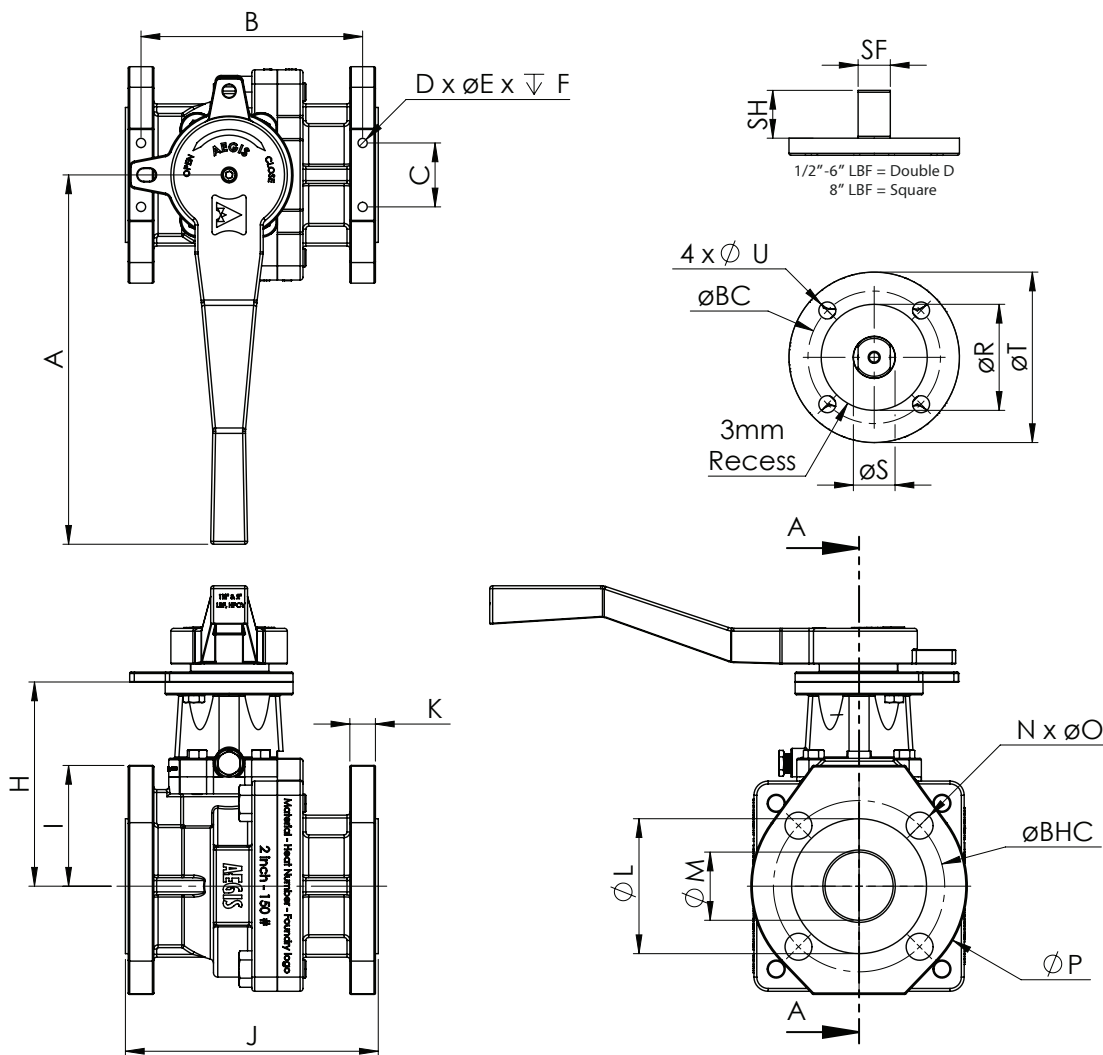


AEGIS® LBF SERIES



LBF	øBC	øU	øS	øR	øT	SF	SH	A	B	C	D x øE x F	H	I	J	K	øL	øM	N x øO	øBHC	øP	Operator	ISO 5211 Pattern	CV	V-ball CV	Weight (lb)	Torque (In-lb)
1/2"	1.97	0.27	0.55	1.38	2.56	0.43	0.71	7.87	N/A	N/A	4 x 1/4" x 1/2"	4.17	1.77	4.25	0.39	1.38	0.51	4x16	2.38	3.50	OHW/HL	F05	37	N/A	12	72
3/4"	1.97	0.27	0.55	1.38	2.56	0.43	0.71	7.87	3.98	1.38	4 x 1/4" x 1/2"	4.29	2.09	4.62	0.47	1.69	0.75	4x16	2.75	3.87	OHW/HL	F05	40	N/A	14	72
1"	1.97	0.27	0.55	1.38	2.56	0.43	0.71	7.87	4.33	1.50	4 x 1/4" x 1/2"	4.29	2.32	5.00	0.51	2.00	0.98	4x16	3.13	4.33	OHW/HL	F05	57	7	15	72
1-1/2"	2.76	0.35	0.87	2.20	3.54	0.67	0.94	10.24	5.67	1.77	4 x 5/16" x 5/8"	5.35	2.95	6.50	0.67	3.11	1.50	4x16	3.88	5.00	HL	F07	186	12	30	216
2"	2.76	0.35	0.87	2.20	3.54	0.67	0.98	10.24	6.14	1.77	4 x 5/16" x 5/8"	5.67	3.35	7.00	0.71	3.74	1.89	4x19	4.75	6.00	HL	F07	300	46	37	300
3"	4.02	0.43	1.10	2.76	4.92	0.87	1.14	13.39	6.95	2.36	4 x 1/2" x 3/4"	8.46	3.94	8.00	0.89	5.04	2.95	4x19	6.00	7.48	HL	F10	685	71	84	645
4"	4.02	0.43	1.10	2.76	4.92	0.87	1.18	13.39	7.95	3.54	4 x 1/2" x 3/4"	9.02	5.31	9.00	0.91	6.22	3.70	8x19	7.50	9.06	HL	F10	1,505	150	115	920
6"	4.92	0.51	1.42	3.35	5.91	1.06	1.65	15.69	9.37	4.72	4 x 9/16" x 1"	11.26	6.50	10.50	0.98	8.50	5.67	8x22.25	9.50	11.02	Gear	F12	3,510	197	203	2,410
8"	5.51	17	1.89	3.94	6.89	SQ 1.4	1.50	N/A	16.65	4.72	4 x 9/16" x 1"	14.49	7.60	18.00	1.10	10.24	7.87	8x22.25	11.75	13.58	Gear	F14	4,525	N/A	462	6,300

